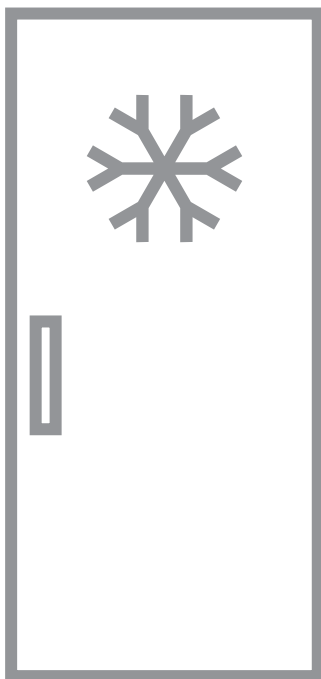


USER MANUAL



CONTENTS

1. SAFETY INFORMATION.....	2
2. SAFETY INSTRUCTIONS.....	4
3. INSTALLATION.....	6
4. CONTROL PANEL.....	8
5. DAILY USE.....	9
6. HINTS AND TIPS.....	10
7. CARE AND CLEANING.....	12
8. TROUBLESHOOTING.....	13
9. NOISES.....	16
10. TECHNICAL DATA.....	17
11. INFORMATION FOR TEST INSTITUTES.....	17

FOR PERFECT RESULTS

Thank you for choosing this AEG product. We have created it to give you impeccable performance for many years, with innovative technologies that help make life simpler – features you might not find on ordinary appliances. Please spend a few minutes reading to get the very best from it.

Visit our website to:



Get usage advice, brochures, trouble shooter, service and repair information:
www.aeg.com/support



Register your product for better service:
www.registeraeg.com



Buy Accessories, Consumables and Original spare parts for your appliance:
www.aeg.com/shop

CUSTOMER CARE AND SERVICE

Always use original spare parts.

When contacting our Authorised Service Centre, ensure that you have the following data available: Model, PNC, Serial Number.

The information can be found on the rating plate.

 Warning / Caution-Safety information

 General information and tips

 Environmental information

Subject to change without notice.

1. SAFETY INFORMATION

Before the installation and use of the appliance, carefully read the supplied instructions. The manufacturer is not responsible for any injuries or damage that are the result of incorrect installation or usage. Always keep the

instructions in a safe and accessible location for future reference.

1.1 Children and vulnerable people safety

- This appliance can be used by children aged from 8 years and above and persons with reduced physical, sensory or mental capabilities or lack of experience and knowledge if they have been given supervision or instruction concerning the use of the appliance in a safe way and understand the hazards involved.
- Children aged from 3 to 8 years are allowed to load and unload the appliance provided that they have been properly instructed.
- This appliance may be used by persons with very extensive and complex disabilities provided that they have been properly instructed.
- Children of less than 3 years of age should be kept away from the appliance unless continuously supervised.
- Do not let children play with the appliance.
- Children shall not carry out cleaning and user maintenance of the appliance without supervision.
- Keep all packaging away from children and dispose of it appropriately.

1.2 General Safety

- This appliance is intended to be used in household and similar applications such as:
 - Farm houses; staff kitchen areas in shops, offices and other working environments;
 - By clients in hotels, motels, bed and breakfast and other residential type environments.
- To avoid contamination of food respect the following instructions:
 - do not open the door for long periods;
 - clean regularly surfaces that can come in contact with food and accessible drainage systems;

- **WARNING:** Keep ventilation openings, in the appliance enclosure or in the built-in structure, clear of obstruction.
- **WARNING:** Do not use mechanical devices or other means to accelerate the defrosting process, other than those recommended by the manufacturer.
- **WARNING:** Do not damage the refrigerant circuit.
- **WARNING:** Do not use electrical appliances inside the food storage compartments of the appliance, unless they are of the type recommended by the manufacturer.
- Do not use water spray and steam to clean the appliance.
- Clean the appliance with a moist soft cloth. Only use neutral detergents. Do not use abrasive products, abrasive cleaning pads, solvents or metal objects.
- When the appliance is empty for long period, switch it off, defrost, clean, dry and leave the door open to prevent mould from developing within the appliance.
- Do not store explosive substances such as aerosol cans with a flammable propellant in this appliance.
- If the supply cord is damaged, it must be replaced by the manufacturer, its Authorised Service Centre or similarly qualified persons in order to avoid a hazard.

2. SAFETY INSTRUCTIONS

2.1 Installation



WARNING!

Only a qualified person must install this appliance.

- Remove all the packaging.
- Do not install or use a damaged appliance.
- Do not use the appliance before installing it in the built-in structure due to safety manner.
- Follow the installation instructions supplied with the appliance.
- Always take care when moving the appliance as it is heavy. Always use safety gloves and enclosed footwear.
- Make sure the air can circulate around the appliance.
- At first installation or after reversing the door wait at least 4 hours before connecting the appliance to the power supply. This is to allow the oil to flow back in the compressor.
- Before carrying out any operations on the appliance (e.g. reversing the door), remove the plug from the power socket.
- Do not install the appliance close to radiators or cookers, ovens or hobs.
- Do not expose the appliance to the rain.
- Do not install the appliance where there is direct sunlight.

- Do not install this appliance in areas that are too humid or too cold.
- When you move the appliance, lift it by the front edge to avoid scratching the floor.

2.2 Electrical connection



WARNING!

Risk of fire and electric shock.



WARNING!

When positioning the appliance, ensure the supply cord is not trapped or damaged.



WARNING!

Do not use multi-plug adapters and extension cables.

- The appliance must be earthed.
- Make sure that the parameters on the rating plate are compatible with the electrical ratings of the mains power supply.
- Always use a correctly installed shockproof socket.
- Make sure not to cause damage to the electrical components (e.g. mains plug, mains cable, compressor). Contact the Authorised Service Centre or an electrician to change the electrical components.
- The mains cable must stay below the level of the mains plug.
- Connect the mains plug to the mains socket only at the end of the installation. Make sure that there is access to the mains plug after the installation.
- Do not pull the mains cable to disconnect the appliance. Always pull the mains plug.

2.3 Use



WARNING!

Risk of injury, burns, electric shock or fire.



The appliance contains flammable gas, isobutane (R600a), a natural gas

with a high level of environmental compatibility. Be careful not to cause damage to the refrigerant circuit containing isobutane.

- Do not change the specification of this appliance.
- Do not put electrical appliances (e.g. ice cream makers) in the appliance unless they are stated applicable by the manufacturer.
- If damage occurs to the refrigerant circuit, make sure that there are no flames and sources of ignition in the room. Ventilate the room.
- Do not let hot items to touch the plastic parts of the appliance.
- Do not put soft drinks in the freezer compartment. This will create pressure on the drink container.
- Do not store flammable gas and liquid in the appliance.
- Do not put flammable products or items that are wet with flammable products in, near or on the appliance.
- Do not touch the compressor or the condenser. They are hot.
- Do not remove or touch items from the freezer compartment if your hands are wet or damp.
- Do not freeze again food that has been thawed.
- Follow the storage instructions on the packaging of frozen food.
- Wrap the food in any food contact material before putting it in the freezer compartment.

2.4 Internal lighting



WARNING!

Risk of electric shock.

- Concerning the lamp(s) inside this product and spare part lamps sold separately: These lamps are intended to withstand extreme physical conditions in household appliances, such as temperature, vibration, humidity, or are intended to signal information about the operational status of the appliance. They are not intended to be used in other applications and are not suitable for household room illumination.

2.5 Care and cleaning



WARNING!

Risk of injury or damage to the appliance.

- Before maintenance, deactivate the appliance and disconnect the mains plug from the mains socket.
- This appliance contains hydrocarbons in the cooling unit. Only a qualified person must do the maintenance and the recharging of the unit.
- Regularly examine the drain of the appliance and if necessary, clean it. If the drain is blocked, defrosted water collects in the bottom of the appliance.

2.6 Service

- To repair the appliance contact the Authorised Service Centre. Use original spare parts only.
- Please note that self-repair or non-professional repair can have safety consequences and might void the guarantee.
- The following spare parts will be available for 7 years after the model has been discontinued: thermostats, temperature sensors, printed circuit boards, light sources, door handles,

door hinges, trays and baskets.

Please note that some of these spare parts are only available to professional repairers, and that not all spare parts are relevant for all models.

- Door gaskets will be available for 10 years after the model has been discontinued.

2.7 Disposal



WARNING!

Risk of injury or suffocation.

- Disconnect the appliance from the mains supply.
- Cut off the mains cable and discard it.
- Remove the door to prevent children and pets to be closed inside of the appliance.
- The refrigerant circuit and the insulation materials of this appliance are ozone-friendly.
- The insulation foam contains flammable gas. Contact your municipal authority for information on how to discard the appliance correctly.
- Do not cause damage to the part of the cooling unit that is near the heat exchanger.

3. INSTALLATION



WARNING!

Refer to Safety chapters.



WARNING!

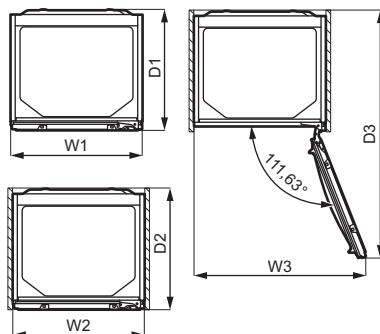
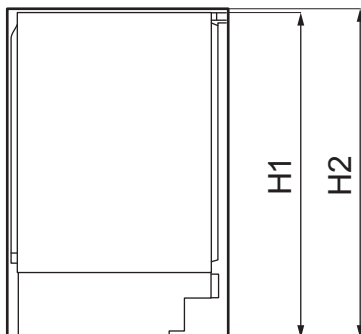
Refer to installation instruction document to install your appliance.



WARNING!

Fix the appliance in accordance with installation instruction document to avoid a risk of instability of the appliance.

3.1 Dimensions



Overall dimensions ¹		
H1	mm	819
W1	mm	596
D1	mm	547

¹ the height, width and depth of the appliance without the handle and feet

Space required in use ²		
H2	mm	820
W2	mm	596
D2	mm	550

² the height, width and depth of the appliance including the handle, plus the space necessary for free circulation of the cooling air

Overall space required in use ³		
H2	mm	820
W3	mm	777
D3	mm	1120

³ the height, width and depth of the appliance including the handle, plus the space necessary for free circulation of the cooling air, plus the space necessary to allow door opening to the minimum

angle permitting removal of all internal equipment

3.2 Location

To ensure appliance's best functionality, you should not install the appliance in the nearby of the heat source (oven, stoves, radiators, cookers or hobs) or in a place with direct sunlight. Make sure that air can circulate freely around the back of the cabinet.

This appliance should be installed in a dry, well ventilated indoor position.

This appliance is intended to be used at ambient temperature ranging from 10°C to 43°C.

i The correct operation of the appliance can only be guaranteed within the specified temperature range.

i If you have any doubts regarding where to install the appliance, please turn to the vendor, to our customer service or to the nearest Authorised Service Centre.

i It must be possible to disconnect the appliance from the mains power supply. The plug must therefore be easily accessible after installation.

3.3 Electrical connection

- Before plugging in, ensure that the voltage and frequency shown on the rating plate correspond to your domestic power supply.
- The appliance must be earthed. The power supply cable plug is provided with a contact for this purpose. If the domestic power supply socket is not earthed, connect the appliance to a separate earth in compliance with current regulations, consulting a qualified electrician.
- The manufacturer declines all responsibility if the above safety precautions are not observed.
- This appliance complies with the E.E.C. Directives.

3.4 Ventilation requirements



CAUTION!

Appliance must be installed according to installation instruction in order to ensure required ventilation.

3.5 Door reversibility

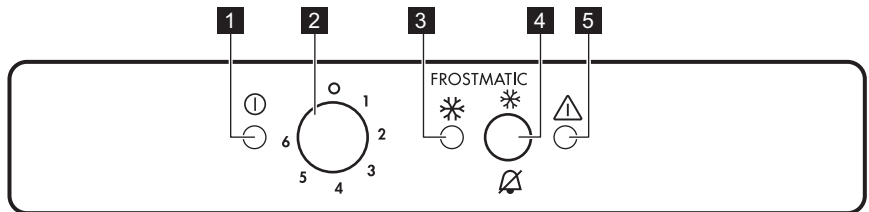
Please refer to the separate document with instructions on installation and door reversal.



CAUTION!

At every stage of reversing the door protect the floor from scratching with a durable material.

4. CONTROL PANEL



1 Power indicator light

2 Temperature regulator and On/Off switch

3 Frostmatic light

4 Frostmatic switch and alarm reset switch

5 Alarm light

4.1 Switching on

1. Insert the plug into the wall socket.
2. Turn the Temperature regulator clockwise to a medium setting. If the temperature inside the appliance is too high, the Alarm light will blink and the acoustic alarm will turn on.
3. Push the Frostmatic switch and the acoustic alarm will turn off. The Alarm light will blink until the internal temperature has reached a level required for the safe conservation of frozen food.

4.2 Switching off

1. Turn the Temperature regulator to the "O" position. The Power indicator light will switch off.
2. Remove the plug from the wall socket.

4.3 Temperature regulation

The temperature is regulated automatically. However, you can set a temperature inside the appliance yourself.

Choose the setting keeping in mind that the temperature inside the appliance depends on:

- room temperature,
- frequency of opening the door,
- quantity of food stored,
- appliance location.

A medium setting is generally the most suitable one.

To operate the appliance:

1. Turn the temperature regulator clockwise to obtain a lower temperature inside the appliance.
2. Turn the temperature regulator counterclockwise to obtain a higher temperature inside the appliance.

4.4 Frostmatic function

The Frostmatic is used to perform pre-freezing and fast freezing in sequence of Freezer compartment. This function accelerates the freezing of fresh food and, at the same time, protects foodstuffs already stored from undesirable warming.



To freeze fresh food activate the Frostmatic function at least 24 hours before placing the food to complete pre-freezing.

To switch on the function:

1. Press the Frostmatic button for 2-3 seconds to activate the Frostmatic

function. The Frostmatic light will switch on.

2. Place the food in the freezing compartment and keep the Frostmatic function switched on for further 24 hours. Refer to "Freezing fresh food" section.



This function stops automatically after 52 hours. It is possible to deactivate the function at any time by pressing the Frostmatic switch for 2-3 seconds.

4.5 High temperature alarm

When there is a temperature increase in the freezer compartment (e.g. due to a power failure) the Alarm light is blinking and sound is on.

The sound can be switched off at any time by pressing the Alarm reset switch.

When normal conditions are restored the Alarm light stops blinking and the sound turns off automatically.

4.6 Door open alarm

An acoustic alarm sounds when the door is left open for around 80 seconds.

After closing the door, the acoustic alarm stops.

In any case, press the Alarm reset switch to deactivate the acoustic alarm.

5. DAILY USE

5.1 Freezing fresh food

The freezer compartment is suitable for freezing fresh food and storing frozen and deep-frozen food for a long time.

To freeze fresh food activate the Frostmatic function at least 24 hours before placing the food to be frozen in the freezer compartment.

Store the fresh food evenly distributed in the first compartment or drawer from the top.

The maximum amount of food that can be frozen without adding other fresh food

during 24 hours is specified on the rating plate (a label located inside the appliance).

When the freezing process is complete, the appliance automatically returns to the previous temperature setting (see "Frostmatic Function").

5.2 Storage of frozen food

When activating an appliance for the first time or after a period out of use, before putting the products in the compartment let the appliance run at least 3 hours with the Frostmatic function switched on.

The freezer drawers ensure that it is quick and easy to find the food package you want. If large quantities of food are to be stored, remove all drawers, except for the bottom drawer which needs to be in place to provide good air circulation.

Keep the food no closer than 15 mm from the door.



CAUTION!

In the event of accidental defrosting, for example due to a power failure, if the power has been off for longer than the value shown on rating plate under "rising time", the defrosted food must be consumed quickly or cooked immediately then cooled and then re-frozen. Refer to "High temperature alarm".

6. HINTS AND TIPS

6.1 Hints for energy saving

- The internal configuration of the appliance is the one that ensures the most efficient use of energy.
- Do not remove the cold accumulators from the freezer basket.
- Do not open the door frequently or leave it open longer than necessary.
- The colder the temperature setting, the higher the energy consumption.
- Ensure a good ventilation. Do not cover the ventilation grilles or holes.

6.2 Hints for freezing

- Activate Frostmatic function at least 24 hours before placing the food inside the freezer compartment.
- Before freezing wrap and seal fresh food in: aluminium foil, plastic film or bags, airtight containers with lid.
- For more efficient freezing and thawing divide food into small portions.
- It is recommended to put labels and dates on all your frozen food. This will help to identify foods and to know when they should be used before their deterioration.

5.3 Thawing

Deep-frozen or frozen food, prior to being consumed, can be thawed in the refrigerator or inside a plastic bag under cold water.

This operation depends on the time available and on the type of food. Small pieces may even be cooked still frozen.


5.4 Cold accumulators

This appliance is equipped with cold accumulators which increase storage time in the event of a power cut or breakdown.

To ensure the best performance of the accumulators, place them in the front top area of the appliance.

- The food should be fresh when being frozen to preserve good quality. Especially fruits and vegetables should be frozen after the harvest to preserve all of their nutrients.
- Do not freeze bottles or cans with liquids, in particular drinks containing carbon dioxide - they may explode during freezing.
- Do not put hot food in the freezer compartment. Cool it down at room temperature before placing it inside the compartment.
- To avoid increase in temperature of already frozen food, do not place fresh unfrozen food directly next to it. Place food at room temperature in the part of the freezer compartment where there is no frozen food.
- Do not eat ice cubes, water ices or ice lollies immediately after taking them out of the freezer. Risk of frostbites.
- Do not re-freeze defrosted food. If the food has defrosted, cook it, cool it down and then freeze it.

6.3 Hints for storage of frozen food

- Freezer compartment is the one marked with .
- The medium temperature setting ensures good preservation of frozen food products.
Higher temperature setting inside the appliance may lead to shorter shelf life.
- The whole freezer compartment is suitable for storage of frozen food products.
- Leave enough space around the food to allow air to circulate freely.
- For adequate storage refer to food packaging label to see the shelf life of food.
- It is important to wrap the food in such a way that prevents water, humidity or condensation from getting inside.

6.4 Shopping tips

After grocery shopping:

- Ensure that the packaging is not damaged - the food could be deteriorated. If the package is swollen or wet, it might have not been stored in the optimal conditions and defrosting may have already started.
- To limit the defrosting process buy frozen goods at the end of your grocery shopping and transport them in a thermal and insulated cool bag.
- Place the frozen foods immediately in the freezer after coming back from the shop.
- If food has defrosted even partially, do not re-freeze it. Consume it as soon as possible.
- Respect the expiry date and the storage information on the package.

6.5 Shelf life

Type of food	Shelf life (months)
Bread	3
Fruits (except citrus)	6 - 12
Vegetables	8 - 10
Leftovers without meat	1 - 2
Dairy food:	
Butter	6 - 9
Soft cheese (e.g. mozzarella)	3 - 4
Hard cheese (e.g. parmesan, cheddar)	6
Seafood:	
Fatty fish (e.g. salmon, mackerel)	2 - 3
Lean fish (e.g. cod, flounder)	4 - 6
Shrimps	12
Shucked clams and mussels	3 - 4
Cooked fish	1 - 2
Meat:	

Type of food	Shelf life (months)
Poultry	9 - 12
Beef	6 - 12
Pork	4 - 6
Lamb	6 - 9
Sausage	1 - 2
Ham	1 - 2
Leftovers with meat	2 - 3

7. CARE AND CLEANING



WARNING!
Refer to Safety chapters.

7.1 Cleaning the interior

Before using the appliance for the first time, the interior and all internal accessories should be washed with lukewarm water and some neutral soap to remove the typical smell of a brand-new product, then dried thoroughly.



CAUTION!
Do not use detergents, abrasive powders, chlorine or oil-based cleaners as they will damage the finish.



CAUTION!
The accessories and parts of the appliance are not suitable for washing in a dishwasher.

7.2 Periodic cleaning

The equipment has to be cleaned regularly:

1. Clean the inside and accessories with lukewarm water and some neutral soap.
2. Regularly check the door seals and wipe them clean to ensure they are clean and free from debris.
3. Rinse and dry thoroughly.

7.3 Defrosting of the freezer



CAUTION!
Never use sharp metal tools to scrape off frost from the evaporator as you could damage it.
Do not use a mechanical device or any artificial means to speed up the thawing process other than those recommended by the manufacturer.



About 12 hours prior to defrosting set a lower temperature in order to build up sufficient chill reserve in case of any interruption in operation.

A certain amount of frost will always form on the freezer shelves and around the top compartment.

Defrost the freezer when the frost layer reaches a thickness of about 3-5 mm.

1. Switch off the appliance or pull out electrical plug from the wall socket.
2. Remove any stored food and put it in a cool place.



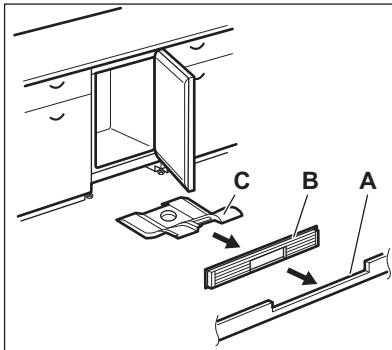
CAUTION!
A temperature rise of the frozen food packs during defrosting may shorten their safe storage life.
Do not touch frozen goods with wet hands.
Hands can freeze to the goods.

3. Leave the door open. Protect the floor from the defrosting water e.g. with a cloth or a flat vessel.
4. In order to speed up the defrosting process, place a pot of warm water in the freezer compartment. In addition, remove pieces of ice that break away before defrosting is complete.
5. When defrosting is complete, dry the interior thoroughly.
6. Switch on the appliance and close the door.
7. Set the temperature regulator to obtain the maximum coldness and run the appliance for at least 3 hours using this setting.

Only after this time put the food back into the freezer compartment.

7.4 Cleaning the air channels

1. Remove the plinth (A), then the ventilation grid (B).



2. Clean the ventilation grid.
3. Carefully pull the air deflector out (C), checking that there is no water left from the defrosting.
4. Clean the lower part of the appliance with a vacuum cleaner.

7.5 Period of non-operation

When the appliance is not in use for long period, take the following precautions:

1. Disconnect the appliance from electricity supply.
2. Remove all food.
3. Defrost the appliance.
4. Clean the appliance and all accessories.
5. Leave the door open to prevent unpleasant smells.

8. TROUBLESHOOTING



WARNING!
Refer to Safety chapters.

8.1 What to do if...

Problem	Possible cause	Solution
The appliance does not operate.	The appliance is switched off.	Switch on the appliance.
	The mains plug is not connected to the mains socket correctly.	Connect the mains plug to the mains socket correctly.

Problem	Possible cause	Solution
	There is no voltage in the mains socket.	Connect a different electrical appliance to the mains socket. Contact a qualified electrician.
The appliance is noisy.	The appliance is not supported properly.	Check if the appliance stands stable.
Acoustic or visual alarm is on.	The cabinet has been recently switched on.	Refer to "Door Open Alarm" or "High Temperature Alarm".
	The temperature in the appliance is too high.	Refer to "Door Open Alarm" or "High Temperature Alarm".
	The door is left open.	Close the door.
The compressor operates continually.	Temperature is set incorrectly.	Refer to "Control Panel" chapter.
	Many food products were put in at the same time.	Wait a few hours and then check the temperature again.
	The room temperature is too high.	Refer to "Installation" chapter.
	Food products placed in the appliance were too warm.	Allow food products to cool to room temperature before storing.
	The door is not closed correctly.	Refer to "Closing the door" section.
	The Frostmatic function is switched on.	Refer to "Frostmatic function" section.
The compressor does not start immediately after pressing the "Frostmatic", or after changing the temperature.	The compressor starts after a period of time.	This is normal, no error has occurred.
Door is misaligned or interferes with ventilation grill.	The appliance is not levelled.	Refer to installation instructions.
Door does not open easily.	You attempted to re-open the door immediately after closing.	Wait a few seconds between closing and re-opening of the door.
There is too much frost and ice.	The door is not closed correctly.	Refer to "Closing the door" section.

Problem	Possible cause	Solution
	The gasket is deformed or dirty.	Refer to "Closing the door" section.
	Food products are not wrapped properly.	Wrap the food products better.
	Temperature is set incorrectly.	Refer to "Control Panel" chapter.
	Appliance is fully loaded and is set to the lowest temperature.	Set a higher temperature. Refer to "Control Panel" chapter.
	Temperature set in the appliance is too low and the ambient temperature is too high.	Set a higher temperature. Refer to "Control Panel" chapter.
Water flows on the floor.	The melting water outlet is not connected to the evaporative tray below the appliance.	Attach the melting water outlet to the evaporative tray.
Temperature cannot be set.	The "Frostmatic function" is switched on.	Switch off "Frostmatic function" manually, or wait until the function deactivates automatically to set the temperature. Refer to "Frostmatic function" section.
The temperature in the appliance is too low/too high.	The temperature is not set correctly.	Set a higher/lower temperature.
	The door is not closed correctly.	Refer to "Closing the door" section.
	The food products' temperature is too high.	Let the food products temperature decrease to room temperature before storage.
	Many food products are stored at the same time.	Store less food products at the same time.
	The thickness of the frost is greater than 4-5 mm.	Defrost the appliance.
	The door has been opened often.	Open the door only if necessary.
	The Frostmatic function is switched on.	Refer to "Frostmatic function" section.

Problem	Possible cause	Solution
	There is no cold air circulation in the appliance.	Make sure that there is cold air circulation in the appliance. Refer to "Hints and Tips" chapter.
Power indicator light flashes.	An error has occurred in measuring the temperature.	Contact a qualified electrician or the nearest Authorized Service Centre.

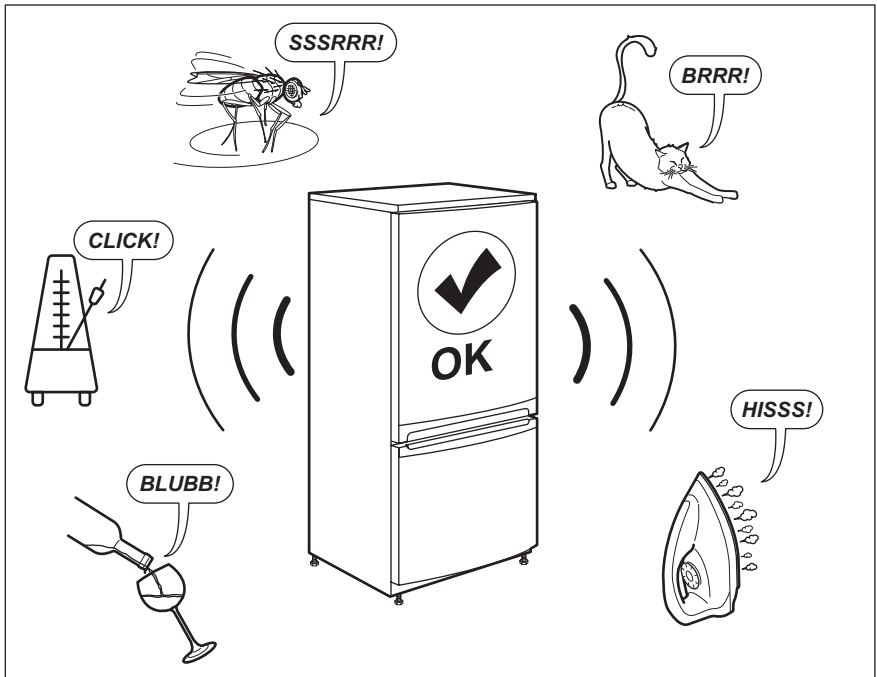
i If the advice does not lead to the desired result, call the nearest Authorized Service Centre.

2. If necessary, adjust the door. Refer to installation instructions.
3. If necessary, replace the defective door gaskets. Contact the Authorized Service Centre.

8.2 Closing the door

1. Clean the door gaskets.

9. NOISES



10. TECHNICAL DATA

The technical information is situated in the rating plate on the internal side of the appliance and on the energy label.

The QR code on the energy label supplied with the appliance provides a web link to the information related to the performance of the appliance in the EU EPREL database. Keep the energy label for reference together with the user manual and all other documents provided with this appliance.

It is also possible to find the same information in EPREL using the link <https://eprel.ec.europa.eu> and the model name and product number that you find on the rating plate of the appliance.


See the link www.theenergylabel.eu for detailed information about the energy label.

11. INFORMATION FOR TEST INSTITUTES

Installation and preparation of the appliance for any EcoDesign verification shall be compliant with EN 62552. Ventilation requirements, recess dimensions and minimum rear

clearances shall be as stated in this User Manual at Chapter 3. Please contact the manufacturer for any other further information, including loading plans.

12. ENVIRONMENTAL CONCERNS

Recycle materials with the symbol . Put the packaging in relevant containers to recycle it. Help protect the environment and human health by recycling waste of electrical and electronic appliances. Do not dispose of

appliances marked with the symbol  with the household waste. Return the product to your local recycling facility or contact your municipal office.

CUPRINS

1. INFORMAȚII PRIVIND SIGURANȚA.....	18
2. INSTRUCȚIUNI DE SIGURANȚĂ.....	20
3. INSTALAREA.....	23
4. PANOU DE COMANDĂ.....	24
5. UTILIZAREA ZILNICĂ.....	26
6. INFORMAȚII ȘI SFATURI.....	26
7. ÎNGRIJIREA ȘI CURĂȚAREA.....	28
8. DEPANARE.....	30
9. ZGOMOTE.....	33
10. DATE TEHNICE.....	33
11. INFORMAȚII PENTRU INSTITUTELE DE TESTARE.....	33

PENTRU REZULTATE PERFECTE

Vă mulțumim pentru că ați ales acest produs AEG. Am creat acest produs pentru a vă oferi performanțe impecabile, pentru mulți ani, cu tehnologii inovative care fac viața mai simplă - funcții pe care s-ar putea să nu le găsiți la aparatele obișnuite. Vă rugăm să alocați câteva minute cititului pentru a obține ce este mai bun din acest aparat.

Vizitați website-ul nostru la:



Aici găsiți sfaturi privind utilizarea, broșuri, informații pentru depanare, service și reparații:

www.aeg.com/support



Înregistrați-vă produsul pentru a beneficia de servicii mai bune:

www.registeraeg.com



Cumpărați accesorii, consumabile și piese de schimb originale pentru aparatul dvs.:


www.aeg.com/shop

ASISTENȚĂ CLIENȚI ȘI SERVICE

Utilizați doar piese de schimb originale.

Atunci când contactați centrul de service autorizat, asigurați-vă că aveți disponibile următoarele informații: Model, PNC, Număr de serie.

Informațiile pot fi găsite pe plăcuța cu datele tehnice.

 Avertisment / Atenție-Informații privind siguranța

 Informații generale și recomandări

 Informații privind mediul înconjurător

Ne rezervăm dreptul asupra efectuării de modificări.

1. INFORMAȚII PRIVIND SIGURANȚA

Înainte de instalarea și de utilizarea aparatului, citiți cu atenție instrucțiunile furnizate. Producătorul nu este responsabil pentru nicio vătămare sau daună rezultată

din instalarea sau utilizarea incorectă. Păstrați permanent instrucțiunile într-un loc sigur și accesibil pentru o consultare ulterioară.

1.1 Siguranța copiilor și a persoanelor vulnerabile

- Acest aparat poate fi utilizat de copiii cu vârsta mai mare de 8 ani, de persoanele cu capacități fizice, senzoriale sau mentale reduse sau de persoanele fără cunoștințe sau experiență doar sub supraveghere sau după o scurtă instruire care să le ofere informațiile necesare despre utilizarea sigură a aparatului și să le permită să înțeleagă pericolele la care se expun.
- Copiii cu vârsta între 3 și 8 ani au voie să încarce și să descarce aparatul cu condiția să fie instruiți corespunzător.
- Acest aparat poate fi folosit de persoane cu dizabilități foarte extinse și complexe cu condiția să fie instruite corespunzător.
- Copiii cu vârsta mai mică de 3 ani nu trebuie lăsați să se apropie de aparat dacă nu sunt supravegheați permanent.
- Nu lăsați copiii să se joace cu aparatul.
- Copiii nu vor realiza curățarea sau întreținerea realizată de utilizator asupra aparatului fără a fi supravegheați.
- Nu lăsați ambalajele la îndemâna copiilor și aruncați-le conform reglementărilor.

1.2 Aspecte generale privind siguranța

- Acest aparat este conceput pentru a fi utilizat în cadrul unei gospodării și în aplicații similare, precum:
 - În casele de la ferme, bucătăriile pentru personal din magazine, birouri și alte medii de lucru;
 - De către clienții din hoteluri, moteluri, unități de cazare cu mic dejun și alte medii de tip rezidențial.
- Pentru a evita contaminarea alimentelor, respectați următoarele instrucțiuni:

- nu deschideți ușa pentru perioade mari de timp;
- curățați cu regularitate suprafețele care au intrat în contact cu alimentele și sistemele de scurgere accesibile;
- **AVERTISMENT:** Mențineți libere fantele de ventilație de pe carcasa aparatului sau din structura în care este încorporat.
- **AVERTISMENT:** Nu utilizați dispozitive mecanice sau alte instrumente diferite de cele recomandate de producător pentru a accelera procesul de dezghețare.
- **AVERTISMENT:** Nu deteriorați circuitul frigorific.
- **AVERTISMENT:** Nu utilizați aparate electrice în interiorul compartimentelor de conservare a alimentelor ale aparatului, decât dacă sunt de tipul recomandat de producător.
- Nu folosiți apă pulverizată și abur pentru curățarea aparatului.
- Curățați aparatul cu o lavetă moale, umedă. Utilizați numai detergenți neutri. Nu folosiți produse abrazive, bureți abrazivi, solvenți sau obiecte metalice.
- Atunci când aparatul este gol pentru o perioadă mare de timp, opriți-l, dezghețați-l, spălați-l, uscați-l și lăsați ușa deschisă pentru a preveni formarea de mucegai în aparat.
- Nu depozitați în acest aparat substanțe explozive, cum ar fi recipiente cu aerosoli cu un combustibil inflamabil.
- În cazul în care cablul de alimentare este deteriorat, trebuie înlocuit de producător, de Centrul de service autorizat al acestuia sau de persoane cu o calificare similară pentru a se evita orice pericol.

2. INSTRUCȚIUNI DE SIGURANȚĂ

2.1 Instalarea



AVERTISMENT!

Doar o persoană calificată trebuie să instaleze acest aparat.

- Îndepărtați toate ambalajele.
- Dacă aparatul este deteriorat, nu îl instalați sau utilizați.
- Nu folosiți aparatul înainte de a-l instala în structura încastată din cauza îngrijorărilor privind siguranța.

- Urmați instrucțiunile de instalare furnizate împreună cu aparatul.
- Aveți întotdeauna grijă când mutați aparatul deoarece acesta este greu. Folosiți întotdeauna mănuși de protecție și încălțăminte închisă.
- Asigurați-vă că aerul poate circula în jurul aparatului.
- După instalare sau după inversarea ușii, așteptați cel puțin 4 ore înainte de a conecta aparatul la sursa de alimentare. Aceasta pentru a permite uleiului să curgă înapoi în compresor.
- Înainte de a efectua orice operație asupra aparatului (de ex. inversarea ușii), scoateți ștecherul din priză.
- Nu instalați aparatul aproape de radiatoare sau aragaze, cuptoare sau plite.
- Nu expuneți aparatul la precipitații.
- Nu instalați aparatul direct în lumina razelor de soare.
- Nu instalați acest aparat în zonele cu umiditate ridicată sau prea reci.
- Când mutați aparatul, ridicați din partea frontală, pentru a evita zgârierea podelei.

2.2 Conexiunea electrică



AVERTISMENT!
Pericol de incendiu și electrocutare.



AVERTISMENT!
Atunci când amplasați aparatul, asigurați-vă că nu blocați sau deteriorați cablul de alimentare.



AVERTISMENT!
Nu folosiți prize multiple și cabluri prelungitoare.

- Aparatul trebuie legat la o priză cu împământare.
- Asigurați-vă că parametrii de pe plăcuța cu date tehnice sunt compatibili cu valorile nominale ale sursei de alimentare.
- Utilizați întotdeauna o priză cu protecție (împământare) contra electrocutării, montată corect.
- Procedați cu atenție pentru a nu deteriora componentele electrice (de exemplu, ștecherul, cablul de

alimentare electrică și compresorul). Contactați Centrul de service autorizat sau un electrician pentru schimbarea componentelor electrice.

- Cablul de alimentare electrică trebuie să rămână sub nivelul ștecherului.
- Introduceți ștecherul în priză numai după încheierea procedurii de instalare. Asigurați accesul la priză după instalare.
- Nu trageți de cablul de alimentare pentru a scoate din priză aparatul. Trageți întotdeauna de ștecher.

2.3 Modul de utilizare



AVERTISMENT!
Pericol de vătămare, arsuri, electrocutare sau incendiu.



Aparatul conține gaz inflamabil, izobutan (R600a), un gaz natural cu un nivel ridicat de compatibilitate cu mediul. Aveți grijă să nu deteriorați circuitul frigorific care conține izobutan.

- Nu modificați specificațiile acestui aparat.
- Nu introduceți aparate electrice (de exemplu, aparate de făcut înghețată) în interiorul aparatului, decât dacă acest lucru este recomandat de către producător.
- Dacă circuitul frigorific este deteriorat, asigurați-vă că nu există flăcări și surse de aprindere în cameră. Aerisiți camera.
- Nu lăsați obiecte fierbinți să atingă piesele din plastic ale aparatului.
- Nu introduceți băuturi răcoritoare în compartimentul congelatorului. Aceasta va crea presiune în recipientul cu bătură.
- Nu depozitați gaze și lichide inflamabile în aparat.
- Produsele inflamabile sau obiectele umezite cu produse inflamabile nu trebuie introduse în aparat, nici puse adiacent sau deasupra acestuia.
- Nu atingeți compresorul sau condensatorul. Sunt fierbinți.
- Nu scoateți sau atingeți obiecte din congelator cu mâinile ude sau umede.
- Nu recongeleți alimente care au fost dezghețate.

- Respectați instrucțiunile de depozitare de pe ambalajul preparatelor congelate.
- Ambalați mâncarea în orice tip de ambalaj alimentar înainte de a o introduce în compartimentul congelator.

2.4 Iluminarea interioară



AVERTISMENT!
Pericol de electrocutare.

- Referitor la becul (becurile) din acest produs și becurile de schimb vândute separat: Aceste becuri sunt concepute pentru a suporta situațiile fizice extreme din aparatele electrocasnice, cum ar fi cele de temperatură, vibrație, umiditate sau au rolul de a semnaliza informații privitoare la starea operațională a aparatului. Acestea nu sunt destinate utilizării în alte aplicații și nu sunt adecvate pentru iluminarea camerelor din locuință.

2.5 Îngrijirea și curățarea



AVERTISMENT!
Pericol de vătămare personală sau deteriorare a aparatului.

- Înainte de a efectua operațiile de întreținere, dezactivați aparatul și scoateți ștecherul din priză.
- Acest aparat conține hidrocarburi în unitatea de răcire. Doar o persoană calificată trebuie să efectueze întreținerea și încărcarea unității.
- Verificați regulat evacuarea aparatului și, dacă este necesar, curățați-o. Dacă evacuarea este blocată, apa dezghețată se va acumula în partea de jos a aparatului.

2.6 Service

- Pentru a repara aparatul contactați Centrul de service autorizat. Utilizați numai piese de schimb originale.

- Rețineți că reparațiile făcute în regie proprie sau care nu sunt făcute de profesioniști pot afecta siguranța și pot anula garanția.
- Următoarele piese de schimb vor fi disponibile timp de 7 ani după ce modelul nu mai este fabricat: termostate, senzori de temperatură, plăci cu circuite imprimante, surse de lumină, mânere de ușă, balamale de ușă, tăvi și coșuri. Rețineți că unele piese de schimb sunt disponibile doar la reparatorii profesioniști și nu toate piesele de schimb sunt relevante pentru toate modelele.
- Garniturile de ușă vor fi disponibile timp de 10 ani după ce modelul nu mai este fabricat.

2.7 Gestionarea deșeurilor după încheierea ciclului de viață al aparatului



AVERTISMENT!
Pericol de vătămare sau sufocare.

- Deconectați aparatul de la sursa de alimentare electrică.
- Tăiați cablul electric și îndepărtați-l.
- Scoateți ușa pentru a preveni închiderea copiilor sau a animalelor de companie în aparat.
- Circuitul frigorific și materialele de izolare a acestui aparat nu afectează stratul de ozon.
- Spuma izolatoare conține gaze inflamabile. Contactați autoritatea locală pentru informații privind aruncarea adecvată a acestui aparat.
- Nu deteriorați partea unității de răcire apropiată de schimbătorul de căldură.

3. INSTALAREA



AVERTISMENT!
Consultați capitolele privind siguranța.

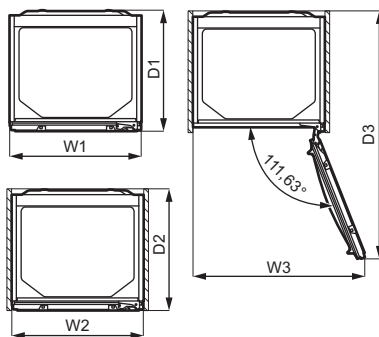
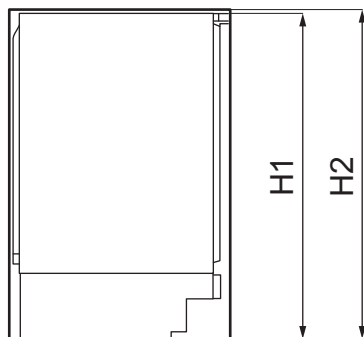


AVERTISMENT!
Consultați documentul cu instrucțiunile de instalare pentru a instala aparatul.



AVERTISMENT!
Fixați aparatul în conformitate cu documentul cu instrucțiunile de instalare pentru ca aparatul să nu devină instabil.

3.1 Dimensiuni



Dimensiunile de gabarit ¹		
H1	mm	819
W1	mm	596
D1	mm	547

¹ înălțimea, lățimea și adâncimea aparatului fără mâner și picioare

Spațiul necesar la utilizare ²		
H2	mm	820
W2	mm	596
D2	mm	550

² înălțimea, lățimea și adâncimea aparatului, inclusiv mânerul, plus spațiul necesar pentru circulația liberă a aerului răcit

Spațiul total necesar la utilizare ³		
H2	mm	820
W3	mm	777
D3	mm	1120

³ înălțimea, lățimea și adâncimea aparatului, inclusiv mânerul, plus spațiul necesar pentru circulația liberă a aerului de răcire, plus spațiul necesar pentru a permite deschiderea ușii la unghiul minim care să permită scoaterea tuturor echipamentelor interne

3.2 Amplasarea

Pentru a sigura funcționarea optimă a aparatului, nu instalați aparatul în apropierea sursei de căldură (cuptor, sobe, radiatoare, aragaze sau plite) sau în lumina directă a soarelui. Asigurați-vă că aerul poate circula liber în spatele cabinetului.

Acest aparat trebuie instalat la interior într-un spațiu uscat și bine ventilat.

Acest aparat este conceput pentru a fi folosit la o temperatură a mediului între 10°C și 43°C.

i Funcționarea corectă a aparatului poate fi garantată doar în cadrul gamei specificate de valori pentru temperatură.

i Dacă aveți nelămuriri cu privire la locul de instalare a aparatului, vă rugăm să apelați la vânzător, la serviciul nostru de asistență pentru clienți sau la cel mai apropiat Centru de service autorizat.

i Deconectarea aparatului de la priză trebuie să se facă ușor. Prin urmare, ștecherul trebuie să fie ușor accesibil după instalare.

3.3 Conexiunea electrică

- Înainte de a conecta aparatul, asigurați-vă că tensiunea și frecvența indicate pe plăcuța cu datele tehnice corespund cu sursa de alimentare a locuinței.

- Aparatul trebuie legat la o priză cu împământare. Ștecherul cablului electric este prevăzut cu un contact în acest scop. Dacă priza din locuință nu este împământată, conectați aparatul la o împământare separată, în conformitate cu reglementările în vigoare, după ce ați consultat un electrician calificat.
- Producătorul nu-și asumă nicio responsabilitate dacă aceste măsuri de siguranță nu sunt respectate.
- Această mașină este conformă cu Directivele C.E.E.

3.4 Cerințe de ventilație



ATENȚIE!

Aparatul trebuie instalat conform instrucțiunilor de instalare pentru a se asigura ventilația necesară.

3.5 Reversibilitatea ușii

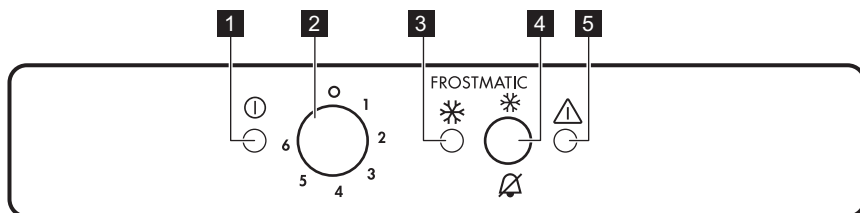
Consultați documentul separat care conține instrucțiuni privind instalarea și inversarea așezării ușii.



ATENȚIE!

În fiecare etapă a inversării așezării ușii, protejați podeaua de zgârieturi folosind un material durabil.

4. PANOU DE COMANDĂ



1 Indicator luminos de alimentare electrică

2 Regulatorul de temperatură și comutatorul Pornit/Opriț

3 Indicator luminos pentru Frostmatic

4 Comutator Frostmatic și comutator resetare alarmă

5 Indicator luminos de alarmă

4.1 Pornirea aparatului

1. Introduceți ștecherul în priză.
2. Rotiți Regulatorul de temperatură la dreapta, la o valoare medie.

Dacă temperatura din interiorul aparatului este prea ridicată, indicatorul luminos pentru Alarmă va clipi și alarma acustică se va activa.

3. Apăsați comutatorul Frostmatic și alarma acustică se va opri. Lumina pentru Alarmă va clipi până când temperatura internă a ajuns la un nivel care asigură păstrarea în siguranță a alimentelor congelate.

4.2 Oprirea

1. Rotiți butonul de reglare a temperaturii pe poziția „O”.

Indicatorul luminos de funcționare se va stinge.

2. Scoateți ștecherul din priză.

4.3 Reglarea temperaturii

Temperatura este reglată automat. Însă puteți seta singuri o temperatură în interiorul aparatului.

Alegeți setarea ținând cont de faptul că temperatura din interiorul aparatului depinde de:

- temperatura din încăperea,
- frecvența de deschidere a ușii,
- cantitatea de alimente stocate,
- amplasarea aparatului.

În general, cea mai adecvată este setarea medie.

Pentru utilizarea aparatului:

1. Rotiți regulatorul pentru temperatură în sensul acelor de ceasornic pentru a obține o temperatură mai redusă în interiorul aparatului.
2. Rotiți regulatorul pentru temperatură în sens invers acelor de ceasornic pentru a obține o temperatură mai ridicată în interiorul aparatului.

4.4 Funcția Frostmatic

Frostmatic este folosită pentru a realiza pre-congelarea și congelarea rapidă în secvență, în compartimentul congelator. Această funcție accelerează congelarea

alimentelor proaspete și, în același timp, protejează alimentele deja depozitate împotriva încălzirii nedorite.



Pentru a congela alimente proaspete, activați funcția Frostmatic cu cel puțin 24 ore înainte de a introduce alimentele pentru a efectua pre-congelarea.

Pentru activarea funcției:

1. Apăsați butonul Frostmatic timp de 2-3 secunde pentru a activa funcția Frostmatic. Lumina Frostmatic se va aprinde.
2. Introduceți alimentele în compartimentul congelator și mențineți activă funcția Frostmatic pentru încă 24 de ore. Consultați secțiunea „Congelarea alimentelor proaspete”.



Această funcție se oprește automat după 52 ore. Este posibil să dezactivați funcția oricând, apăsând comutatorul Frostmatic timp de 2-3 secunde.

4.5 Alarmă pentru temperatură ridicată

Atunci când temperatura crește în compartimentul congelator (de ex. din cauza unei pene de curent), lumina Alarimei clipește și este emis un sunet.

Sunetul poate fi oprit în orice moment apăsând pe comutatorul de resetare a Alarimei.

Atunci când condițiile normale sunt restabilite, lumina Alarimei nu mai clipește și sunetul se oprește automat.

4.6 Alarma pentru ușă deschisă

Se aude o alarmă sonoră atunci când ușa este lăsată deschisă în jur de 80 de secunde.

După închiderea ușii, alarma acustică se oprește.

În orice caz, apăsați pe comutatorul de resetare al alarmei pentru a dezactiva alarma sonoră.

5. UTILIZAREA ZILNICĂ

5.1 Congelarea alimentelor proaspete

Compartimentele din congelator sunt adecvate pentru congelarea alimentelor proaspete și pentru conservarea pe termen lung a preparatelor congelate.

Pentru a congela alimente proaspete, activați Funcția Frostmatic cu cel puțin 24 ore înainte de a introduce alimentele de congelat în compartimentul congelator.

Depozitați alimentele proaspete distribuite uniform în primul compartiment sau în sertarul din partea superioară.

Cantitatea maximă de alimente care poate fi congelată fără a adăuga alte alimente proaspete într-o perioadă de 24 de ore este specificată pe plăcuța cu datele tehnice (o etichetă situată în interiorul aparatului).

După ce procesul de congelare s-a terminat, aparatul revine automat la temperatura anterioară (consultați „Funcția Frostmatic”).

5.2 Depozitarea preparatelor congelate

La activarea aparatului pentru prima dată sau după o perioadă de neutilizare, înainte de a introduce alimentele în congelator, lăsați aparatul să funcționeze timp de cel puțin 3 ore cu funcția Frostmatic pornită.

Sertarele congelatorului vă permit să găsiți rapid și ușor pachetul de alimente dorit. Dacă se stochează cantități mari de alimente, scoateți toate sertarele cu excepția sertarului inferior care trebuie păstrat pentru a asigura o circulație bună a aerului.

Țineți alimentele la o distanță de minim 15 mm față de ușa.



ATENȚIE!

În cazul dezghețării accidentale, de exemplu din cauza unei întreruperi a curentului, dacă alimentarea electrică a fost întreruptă pentru mai mult timp decât valoarea indicată pe plăcuța cu date tehnice la „timpul de atingere a condițiilor normale de funcționare”, alimentele decongelate trebuie consumate rapid sau trebuie gătite imediat, răcite și apoi recongelate. Consultați „Alarmă pentru temperatură ridicată”.

5.3 Dezghețarea

Alimentele congelate normal sau rapid, înainte de a fi consumate, pot fi dezghețate în frigider sau într-o pungă de plastic pusă în apă rece.

Această operație depinde de timpul disponibil și de tipul de aliment. Bucățile mici pot fi gătite chiar și în starea congelată.

5.4 Acumulatorii de frig

Acest aparat este echipat cu acumulatorii de frig care cresc durata de păstrare în cazul unei pene de curent sau defectări.

Pentru a asigura performanța optimă a acumulatorilor, introduceți-le în partea frontală de sus a aparatului.

6. INFORMAȚII ȘI SFATURI

6.1 Recomandări pentru economisirea energiei

- Configurația internă a aparatului este cea care asigură cea mai eficientă utilizare a energiei.

- Nu scoateți acumulatorii pentru răcire din coșul congelatorului.
- Nu deschideți ușa prea des și nu o lăsați deschisă mai mult decât este necesar.


- Cu cât temperatura setată este mai mică, cu atât este mai mare consumul de energie.
- Asigurați o ventilație bună. Nu acoperiți grilajele sau orificiile de ventilație.

6.2 Recomandări privind congelarea

- Activați funcția Frostmatic cu cel puțin 24 de ore înainte de a pune alimentele în interiorul compartimentului congelator.
- Înainte de congelare, ambalați și etanșați alimentele proaspete folosind: folie de aluminiu, folie sau pungi de plastic, recipiente etanșe cu capac.
- Pentru o congelare și dezghețare mai eficientă, împărțiți alimentele în porții mici.
- Se recomandă să puneți etichete și date pe toate alimentele congelate. Vă va ajuta să identificați alimentele și să știți când trebuie folosite înainte de a se deteriora.
- Alimentele trebuie să fie proaspete înainte de congelare pentru a-și păstra calitățile. În mod special pentru fructe și legume, acestea trebuie colectate la momentul colectării pentru a-și păstra toate nutrimentele.
- Nu congelați sticle sau cutii care conțin lichide, în special băuturi care conțin dioxid de carbon. Acestea pot exploda în timpul congelării.
- Nu puneți alimente fierbinți în compartimentul frigider. Răciți-le la temperatura camerei înainte de a le introduce în compartiment.
- Pentru a evita creșterea în temperatură a alimentelor deja congelate, nu puneți alimente proaspete necongelate direct lângă cele congelate. Puneți alimentele la temperatura camerei în zona din congelator unde nu există alimente congelate.
- Nu consumați cuburile de gheață, apa înghețată sau înghețata imediat după ce le-ați scos din congelator. Pericol de degerare.
- Nu recongelați alimentele dezghețate. Dacă alimentele s-au

decongelat, gătiți-le, răciți-le și apoi le congelați.

6.3 Recomandări pentru conservarea preparatelor congelate

- Compartimentul congelatorului este cel marcat cu .
- Setarea la temperatură medie asigură păstrarea în condiții bune a preparatelor congelate. Setările la o temperatură mai mare în interior pot duce la o durată mai mică de păstrare.
- Tot compartimentul congelator este adecvat păstrării preparatelor congelate.
- Lăsați suficient spațiu în jurul alimentelor pentru a permite circulația liberă a aerului.
- Pentru o depozitare adecvată, consultați eticheta de pe ambalajul alimentului pentru a afla durata de păstrare a alimentului.
- Este importantă ambalarea alimentelor astfel încât să fie împiedicată pătrunderea la interior a apei, umidității sau condensului.

6.4 Sfaturi pentru cumpărături

După ce ați cumpărat alimente:

- Asigurați-vă că ambalajul nu este deteriorat deoarece alimentele pot fi deteriorate. Dacă ambalajul este umflat sau umed, s-ar putea ca acesta să nu fi fost depozitat în condiții optime și este posibil ca decongelarea să fi început deja.
- Pentru a limita procesul de decongelare, cumpărați bunurile congelate la finalul cumpărăturilor și transportați-le într-o geantă termică izolatoare.
- Puneți alimentele congelate imediat în congelator după ce v-ați întors de la magazin.
- Dacă alimentele s-au decongelat chiar și parțial, nu le recongelați. Consumați cât mai curând posibil.
- Respectați data expirării și informațiile privind depozitarea aflate pe ambalaj.

6.5 Durata de păstrare

Tip de mâncare	Durata de păstrare (luni)
Pâine	3
Fruite (mai puțin citrice)	6 - 12
Legume	8 - 10
Mâncare fără carne rămasă	1 - 2
Produse lactate:	
Unt	6 - 9
Brânză moale (de ex. mozzarella)	3 - 4
Brânză tare (de ex. parmezan, cheddar)	6
Fruite de mare:	
Pește gras (de ex. somon, macrou)	2 - 3
Pește slab (de ex. cod, plătică)	4 - 6
Creveți	12
Scoici și midii scoase din cochilie	3 - 4
Pește gătit	1 - 2
Carne:	
Pasăre	9 - 12
Vită	6 - 12
Porc	4 - 6
Miel	6 - 9
Cârnați	1 - 2
Șuncă	1 - 2
Mâncare cu carne rămasă	2 - 3

7. ÎNGRIJIREA ȘI CURĂȚAREA



AVERTISMENT!

Consultați capitolele privind siguranța.

7.1 Curățarea interiorului

Înainte de a folosi aparatul pentru prima oară, spălați interiorul și toate accesoriile interne cu apă caldă și cu săpun neutru pentru a înlătura mirosul specific de produs nou, după care uscați bine.



ATENȚIE!

Nu folosiți detergenți, pulberi abrazive, agenți de curățare pe bază de clor sau ulei deoarece vor deteriora stratul acoperitor.



ATENȚIE!

Accesoriile și celelalte piese ale aparatului nu sunt adecvate pentru a fi spălate în mașina de spălat vase

7.2 Curățarea periodică

Aparatul trebuie curățat regulat:

1. Curățați interiorul și accesoriile cu o soluție cu apă caldă și săpun neutru.
2. Verificați regulat garniturile ușii și ștergeți-le pentru a vă asigura că sunt curate.
3. Clătiți și uscați bine.

7.3 Decongelarea congelatorului



ATENȚIE!

Nu folosiți niciodată instrumente metalice ascuțite pentru a îndepărta gheața de pe evaporator deoarece îl puteți deteriora. Nu utilizați dispozitive mecanice sau instrumente diferite de cele recomandate de producător pentru a accelera procesul de dezghețare.



Cu aproximativ 12 ore înainte de dezghețare, setați o temperatură mai redusă pentru a acumula suficientă rezervă de răcire în situația în care se întrerupe funcționarea.

Întotdeauna se va forma gheață pe rafturile congelatorului și în jurul compartimentului superior.

Dezghețați congelatorul atunci când grosimea stratului de gheață atinge aproximativ 3-5 mm.

1. Opriți aparatul sau scoateți ștecherul din priză.
2. Scoateți toate alimentele depozitate și puneți-le într-un loc răcoros.



ATENȚIE!

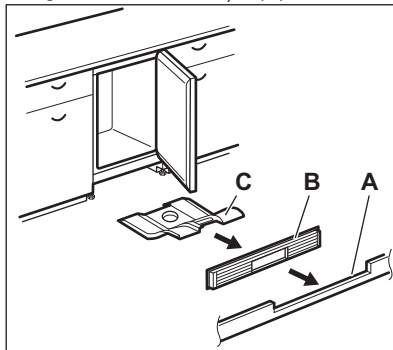
Creșterea temperaturii pachetelor cu alimente congelate, în timpul dezghețării, poate scurta durata de conservare în siguranță a acestora. Nu atingeți alimentele congelate cu mâinile ude. În contact cu alimentele mâinile vă pot îngheța.

3. Lăsați ușa deschisă. Protejați podeaua de apa de la dezghețare, de ex. cu o lavetă sau un vas plat.
4. Pentru a accelera procesul de dezghețare, puneți o oală cu apă caldă în compartimentul congelator. Suplimentar, îndepărtați bucățile de gheață care se desprind înainte de terminarea dezghețării.
5. După terminarea dezghețării, uscați bine interiorul.
6. Porniți aparatul și închideți ușa.
7. Setați butonul de reglare a temperaturii pentru a obține o răcire maximă și lăsați aparatul să funcționeze cel puțin 3 ore la această setare.

Doar după ce trece acest timp introduceți la loc alimentele în compartimentul congelator.

7.4 Curățarea canalelor de aerisire

1. Demontați plinta (A) și după aceea grătarul de ventilație (B).



2. Curățați grila de ventilare.
3. Extrageți cu atenție deflectorul de aer (C), asigurându-vă că nu a rămas apă de la dezghețare.
4. Curățați partea inferioară a aparatului cu un aspirator.

7.5 Perioada de nefuncționare

Atunci când aparatul nu este utilizat pentru o perioadă îndelungată, luați următoarele măsuri de precauție:

1. Deconectați aparatul de la sursa de alimentare cu electricitate.

2. Scoateți toate alimentele.
3. Dezghețați aparatul.
4. Curățați aparatul și toate accesoriile.
5. Lăsați ușa deschisă pentru a preveni formarea mirosurilor neplăcute.

8. DEPANARE



AVERTISMENT!

Consultați capitolele privind siguranța.

8.1 Ce trebuie făcut dacă...

Problemă	Cauză posibilă	Soluție
Aparatul nu funcționează.	Aparatul este oprit.	Porniți aparatul.
	Ștecherul nu este conectat corect în priză.	Conectați ștecherul în priză corect.
	Nu există tensiune în priză.	Conectați un alt aparat la priza electrică. Contactați un electrician calificat.
Aparatul scoate zgomote.	Aparatul nu este sprijinit corect.	Verificați dacă aparatul este stabil.
Este activată alarma sonoră sau vizuală.	Dulapul a fost pornit recent.	Consultați „Alarmă pentru ușa deschisă” sau „Alarmă pentru temperatură ridicată”.
	Temperatura din aparat este prea ridicată.	Consultați „Alarmă pentru ușa deschisă” sau „Alarmă pentru temperatură ridicată”.
	Ușa a rămas deschisă.	Închideți ușa.
Compresorul funcționează continuu.	Temperatura nu este setată corect.	Consultați capitolul „Panoul de comandă”.
	Au fost introduse multe alimente în același timp.	Așteptați câteva ore și apoi verificați din nou temperatura.
	Temperatura camerei este prea ridicată.	Consultați capitolul „Instalarea”.
	Produsele alimentare introduse în aparat erau prea calde.	Lăsați alimentele să se răcească la temperatura camerei înainte de a le introduce în aparat.
	Ușa nu este închisă corect.	Consultați secțiunea „Închiderea ușii”.
Funcția Frostmatic este activată.	Consultați secțiunea „Funcția Frostmatic”.	

Problemă	Cauză posibilă	Soluție
Compresorul nu pornește imediat după apăsarea „Frostmatic” sau după schimbarea temperaturii.	Compresorul pornește după o perioadă de timp.	Acest lucru este normal, nu s-a produs nicio eroare.
Ușa este descentrată sau se lovește de grătarul de ventilație.	Aparatul nu este adus la nivel.	Consultați instrucțiunile de instalare.
Ușa nu se deschide ușor.	Ați încercat să re-deschideți ușa imediat după ce a fost închisă.	Așteptați câteva secunde înainte de a închide și re-deschide ușa.
Există prea multă gheață.	Ușa nu este închisă corect.	Consultați secțiunea „Închiderea ușii”.
	Garnitura este deformată sau murdară.	Consultați secțiunea „Închiderea ușii”.
	Alimentele nu sunt ambalate corect.	Ambalați mai bine alimentele.
	Temperatura nu este setată corect.	Consultați capitolul „Panoul de comandă”.
	Aparatul este încărcat complet și este setat la temperatura cea mai mică.	Setați o temperatură mai ridicată. Consultați capitolul „Panoul de comandă”.
	Temperatura setată în aparat este prea mică și temperatura ambientală este prea ridicată.	Setați o temperatură mai ridicată. Consultați capitolul „Panoul de comandă”.
Apa curge pe podea.	Orificiul pentru apa rezultată din topire nu este conectat la tăvița de evaporare de sub aparat.	Fixați orificiul de drenare a apei rezultate din topire în tăvița de evaporare.
Temperatura nu poate fi setată.	„Funcția Frostmatic” este pornită.	Dezactivați manual „Funcția Frostmatic” sau așteptați până când funcția se dezactivează automat pentru a seta temperatura. Consultați secțiunea „Funcția Frostmatic”.
Temperatura din aparat este prea scăzută/prea ridicată.	Temperatura nu este setată corect.	Setați o temperatură mai ridicată/mai scăzută.
	Ușa nu este închisă corect.	Consultați secțiunea „Închiderea ușii”.

Problemă	Cauză posibilă	Soluție
	Temperatura alimentelor este prea ridicată.	Înainte de depozitare, lăsați temperatura alimentelor să scadă până la temperatura camerei.
	Sunt introduse prea multe alimente în același timp.	Depozitați mai puține alimente în același timp.
	Grosimea stratului de gheață este mai mare de 4-5 mm.	Decongețați aparatul.
	Ușa a fost deschisă des.	Deschideți ușa numai dacă este necesar.
	Funcția Frostmatic este activată.	Consultați secțiunea „Funcția Frostmatic”.
	Aerul rece nu circulă în aparat.	Asigurați-vă că aerul rece circulă în aparat. Consultați capitolul „Informații și sfaturi”.
Indicatorul luminos de funcționare se aprinde intermitent.	S-a produs o eroare la măsurarea temperaturii.	Contactați un electrician calificat sau cel mai apropiat Centru de service autorizat.



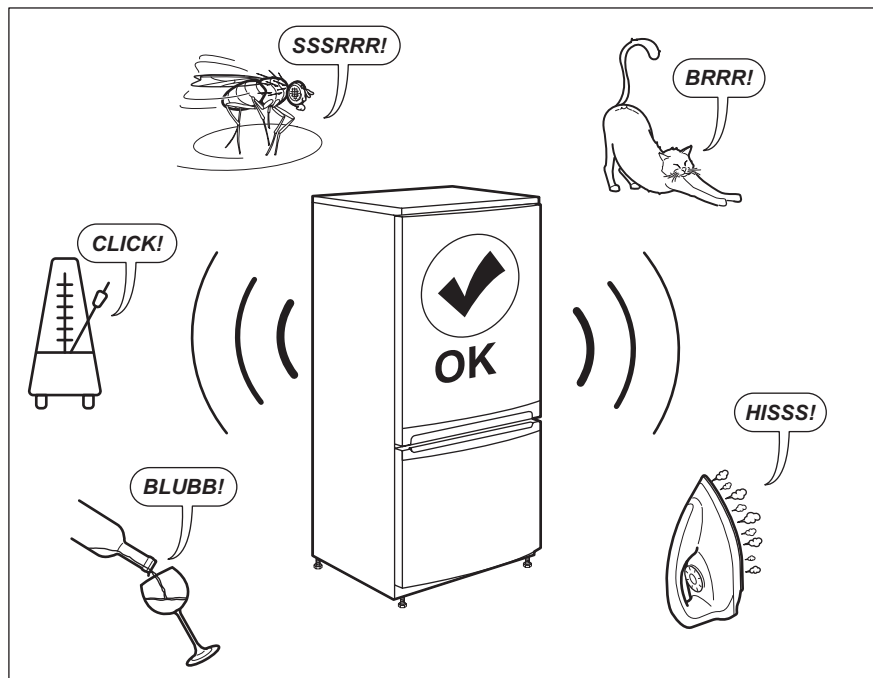
Dacă sfatul nu duce la rezultatul dorit, apelați la cel mai apropiat centru de service autorizat.

2. Dacă este nevoie, reglați ușa. Consultați instrucțiunile de instalare.
3. Dacă este nevoie, înlocuiți garniturile defecte ale ușii. Contactați Centrul de service autorizat.

8.2 Închiderea ușii

1. Curățați garniturile ușii.

9. ZGOMOTE



10. DATE TEHNICE

Informațiile tehnice sunt specificate pe plăcuța cu date tehnice aflată pe partea internă a aparatului și pe eticheta energetică.

Codul QR de pe eticheta energetică furnizată împreună cu aparatul oferă un link web către informațiile referitoare la performanța aparatului aflate în baza de date EPREL UE. Păstrați eticheta energetică pentru referință împreună cu manualul utilizatorului și toate celelalte

documente furnizate împreună cu acest aparat.

Aceleași informații pot fi găsite în EPREL folosind linkul <https://eprel.ec.europa.eu> împreună cu numele modelului și numărul de produs pe care le găsiți pe plăcuța cu date tehnice a aparatului.

Consultați linkul www.theenergylabel.eu pentru informații detaliate despre eticheta energetică.

11. INFORMAȚII PENTRU INSTITUTELE DE TESTARE

Instalarea și pregătirea aparatului pentru orice verificare EcoDesign se va face în conformitate cu EN 62552. Cerințele de ventilație, dimensiunile amplasamentului și spațiul liber minim lăsat în spate vor fi


declarate în acest Manual al utilizatorului la Capitolul 3. Contactați producători pentru orice alte informații, inclusiv planurile de încărcare.

12. INFORMAȚII PRIVIND MEDIUL

Reciclați materialele marcate cu simbolul



. Pentru a recicla ambalajele, acestea trebuie puse în containerele corespunzătoare. Ajuțați la protejarea mediului și a sănătății umane și la reciclarea deșeurilor din aparatele electrice și electrocasnice. Nu aruncați

aparatele marcate cu acest simbol  împreună cu deșeurile menajere. Returnați produsul la centrul local de reciclare sau contactați administrația orașului dvs.

www.aeg.com/shop



211627626-A-442020



AEG